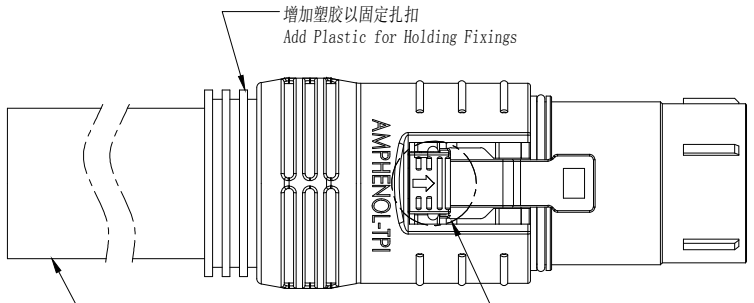
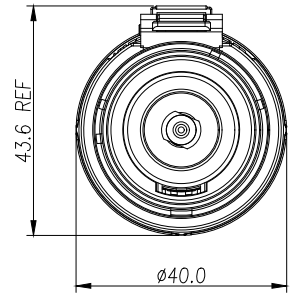
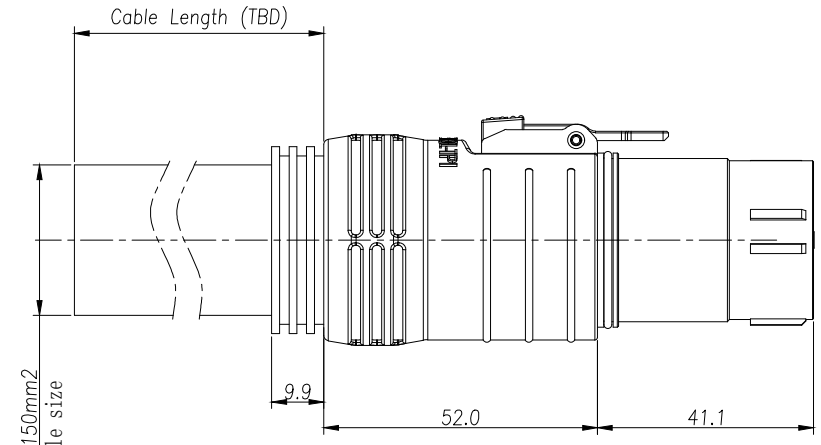
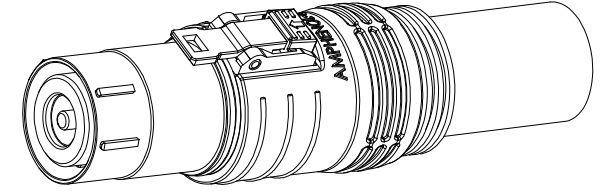


THIS DRAWING IS SUPPLIED FOR INFORMATION ONLY. DESIGN FEATURES, SPECIFICATIONS AND PERFORMANCE DATA SHOWN HEREON ARE THE PROPERTY OF THE AMPHENOL CORPORATION. NO RIGHTS OF REPRODUCTION ARE IMPLIED. ALL DIMENSIONS ARE SUBJECT TO NORMAL MANUFACTURING VARIATIONS.

REV		ZONE		ECO		DESCRIPTION		DATE	BY	APPR
A	--	--	--	Change The Color of Press Key		03/03/15	RW	EC		
B	--	--	--	Add Plastic for Holding Fixings		08/20/15	RW	EC		
C	--	--	--	Update Cable specifications		12/12/17	Sam	Julie		
D	--	--	--	Add Cable fixed point description		01/15/18	Sam	Julie		
E	--	--	--	Update spec.		11/27/18	Fred	JL		

Customer Drawing



订购信息 Ordering Information

PL10 X - 50 0 - 150

键位及颜色 Key & Color	高压互锁 HVIL	线缆大小 Cable Size
"X", 橙色 Orange	0, 不带互锁 No HVIL	"150"=150mm ²
"Y", 黑色 Black	1, 带互锁 With HVIL	"135"=135mm ² △
"U", 黄色 Yellow		"120"=120mm ²
"V", 绿色 Green		"95"=95mm ²
"W", 红色 Red		"70"=70mm ² △

规格参数 (Spec.):

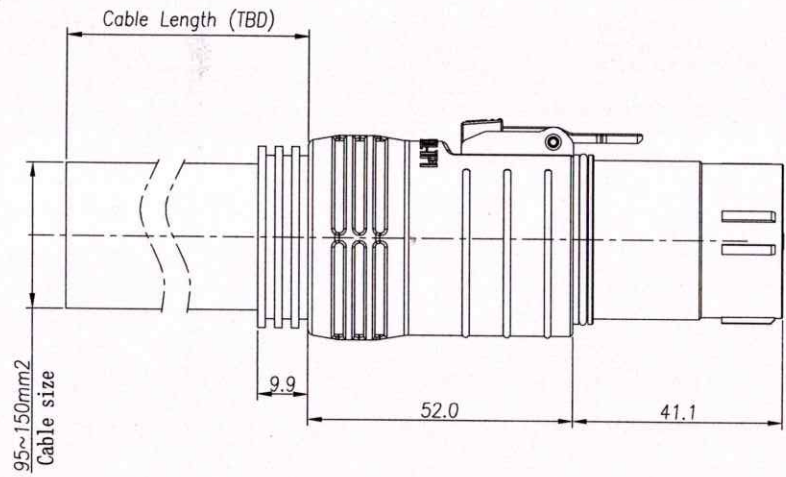
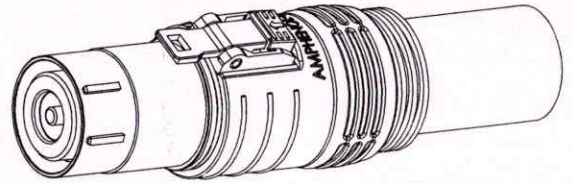
1. 工作温度 Operating temperature: -40° C~+125° C.
2. 额定电流 Current rating (Connector Only):
70mm²: 250A; 95mm²: 300A; 120mm²: 400A; 135mm²: 450A; 150mm²: 500A. △
3. 额定电压 Operating voltage: 1000 VDC.
4. 耐电压 Dielectric withstanding voltage: 5000 VDC.
5. 防护等级 Protection class: IP67 & IP2X.
6. 电磁屏蔽 Shielding.
7. 机械寿命 Mating cycle: 100 Min. △
8. 带自动二次锁扣 Automatic secondary lock.
9. 带高压互锁 Electrical interlock (HVIL).
10. 对配插座见图纸 Mating receptacle see drawing: PL00-500.

	Amphenol Technical Products International GZ					PART NAME: PowerLok 14mm 1POS Plug	
	第三角投影 THIRD ANGLE PROJECTION	页面 SHEET	幅面 SIZE	版次 REV.	比例 SCALE	DWG NO: PL10-500	
签名 SIGNATURE Fred		日期 DATE 11/27/18		UNLESS OTHERWISE SPECIFIED 1) All dimensions are in metric(mm). 2) Tolerances are as follows: 0 PL DEC ±1.00 1 PL DEC ±0.50 2 PL DEC ±0.20		CUST PART #: N/A	
制图 DRAWN		审核 CHECKED		批准 APPROVAL		CUST REV. -	

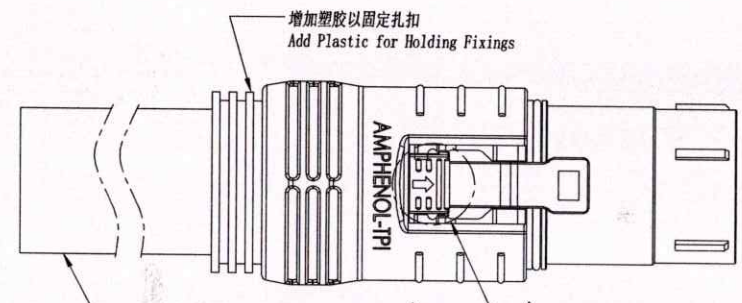
THIS DRAWING IS SUPPLIED FOR INFORMATION ONLY. DESIGN FEATURES, SPECIFICATIONS AND PERFORMANCE DATA SHOWN HEREON ARE THE PROPERTY OF THE AMPHENOL CORPORATION. NO RIGHTS OF REPRODUCTION ARE IMPLIED. ALL DIMENSIONS ARE SUBJECT TO NORMAL MANUFACTURING VARIATIONS.

REVISIONS					
REV	ZONE	ECO	DESCRIPTION	DATE	BY APPR
A	--	--	Change The Color of Press Key	03/03/15	RW EC
B	--	--	Add Plastic for Holding Fixings	08/20/15	RW EC
C	--	--	Update Cable specifications	12/12/17	Sam Julie
D	--	--	Add Cable fixed point description	01/15/18	Sam Julie
E	--	--	Update spec.	11/27/18	Fred JL

Customer Drawing



Amphenol TPI
2018-11-27
REGISTERED COPY



订购信息 Ordering Information

PL10 X - 50 0 - 150

键位及颜色 Key & Color	高压互锁 HVIL	线缆大小 Cable Size
"X", 橙色 Orange	0, 不带互锁 No HVIL	"150"=150mm ²
"Y", 黑色 Black	1, 带互锁 With HVIL	"135"=135mm ² △
"U", 黄色 Yellow		"120"=120mm ²
"V", 绿色 Green		"95"=95mm ²
"W", 红色 Red		"70"=70mm ² △

- 规格参数 (Spec.):**
- 工作温度 Operating temperature: -40° C~+125° C.
 - 额定电流 Current rating (Connector Only):
70mm²: 250A; 95mm²: 300A; 120mm²: 400A; 135mm²: 450A; 150mm²: 500A. △
 - 额定电压 Operating voltage: 1000 VDC.
 - 耐电压 Dielectric withstanding voltage: 5000 VDC.
 - 防护等级 Protection class: IP67 & IP2X.
 - 电磁屏蔽 Shielding.
 - 机械寿命 Mating cycle: 100 Min. △
 - 带自动二次锁扣 Automatic secondary lock.
 - 带高压互锁 Electrical interlock (HVIL).
 - 对配插座见图纸 Mating receptacle see drawing: PL00-500.

	Amphenol Technical Products International GZ				PART NAME: PowerLok 14mm IPOS Plug	
	第三角投影 THIRD ANGLE PROJECTION	页 面 SHEET	幅 面 SIZE	版 次 REV.	比 例 SCALE	DWG NO.:
签 名 SIGNATURE		日 期 DATE		UNLESS OTHERWISE SPECIFIED 1) All dimensions are in metric (mm). 2) Tolerances are as follows: 0 PL DEC ±1.00 1 PL DEC ±0.50 2 PL DEC ±0.20 Angles ±1°		
制 图 DRAWN		11/27/18				
审 核 CHECKED		11.27				
批 准 APPROVAL		2018.11.27				
				DWG NO.:		PL10-500
				CUST PART #:		N/A
				CUST REV.:		-